

DANTRUCK 3000 POWER

DIESEL & LPG . 2,0-3,5 TONNES



DanTruck

DT 100034

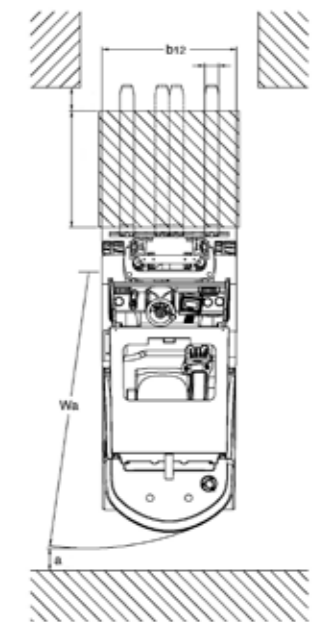
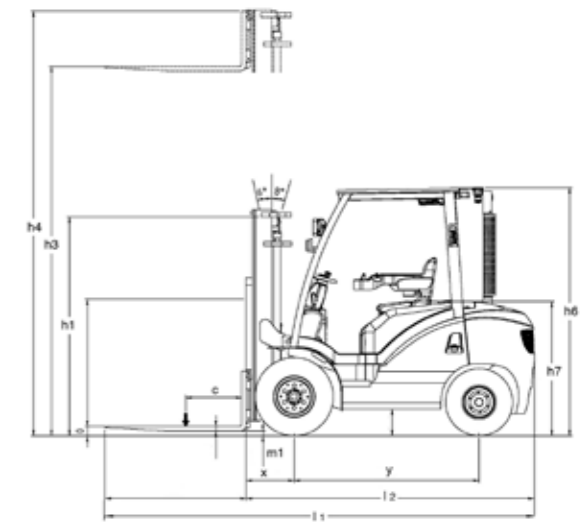
Dealer:

DANTRUCK 3000 POWER

VDI 2198

DIESEL & LPG . 2,0-3,5 TONNES

Brand			DanTruck	DanTruck	DanTruck	DanTruck	DanTruck	DanTruck	DanTruck	DanTruck
Model			3420DY	3425DY	3430DY	3435DY	3420LG	3425LG	3430LG	3435LG
Power source			Diesel	Diesel	Diesel	Diesel	LPG	LPG	LPG	LPG
Operation			Seated operator	Seated operator	Seated operator	Seated operator	Seated operator	Seated operator	Seated operator	Seated operator
Load capacity	Q	t	2,1	2,6	3,1	3,6	2,1	2,6	3,1	3,6
Load center	c	mm	500	500	500	500	500	500	500	500
Load distance	x	mm	465	465	480	480	465	465	480	480
Wheelbase	y	mm	1650	1650	1700	1850	1650	1650	1700	1850
Unladen weight		kg	3580	3800	4500	4700	3580	3800	4500	4700
Axle load, with load, front/rear		kg	4720/860	5470/830	6520/980	7160/1040	4720/860	5470/830	6520/980	7160/1040
Axle load, without load, front/rear		kg	1480/2100	1410/2390	1740/2760	1800/2900	1480/2100	1410/2390	1740/2760	1800/2900
Tyre type, front/rear (S=Super-elastic, P=Pneumatic)			P/P	P/P	P/P	P/P	P/P	P/P	P/P	P/P
Size, front			7.00-12-12P.R.	7.00-12-12P.R.	8.15-15-12P.R.	8.15-15-12P.R.	7.00-12-12P.R.	7.00-12-12P.R.	8.15-15-12P.R.	8.15-15-12P.R.
Size, rear			6.00-9-10P.R.	6.00-9-10P.R.	6.50-10-10P.R.	6.50-10-10P.R.	6.00-9-10P.R.	6.00-9-10P.R.	6.50-10-10P.R.	6.50-10-10P.R.
Number, front/rear			2/2	2/2	2/2	2/2	2/2	2/2	2/2	2/2
Track width, tyre centre, front	b10	mm	970	970	1055	1055	970	970	1055	1055
Track width, tyre centre, rear	b11	mm	985	985	985	985	985	985	985	985
Mast tilt, forward/backward		grad	6/8	6/8	6/8	6/8	6/8	6/8	6/8	6/8
Mast height, lowered (Duplex)	h1	mm	2166	2166	2166	2166	2166	2166	2166	2166
Free lift	h2	mm	0	0	0	0	0	0	0	0
Lift height	h3	mm	3300	3300	3300	3300	3300	3300	3300	3300
Mast height, extended	h4	mm	4520	4520	4520	4520	4470	4470	4520	4520
Overhead guard height	h6	mm	2160	2160	2210	2210	2160	2160	2210	2210
Seat height (lowest/highest)	h7	mm	975/1010	975/1010	975/1010	975/1010	975/1010	975/1010	975/1010	975/1010
Tow bar height	h10	mm	310	310	360	360	310	310	360	360
Overall length	l1	mm	3820	3820	3920	4020	3820	3820	3920	4020
Length to face of forks	l2	mm	2600	2600	2700	2800	2600	2600	2700	2800
Overall width	b1/b2	mm	1150	1150	1300	1300	1150	1150	1300	1300
Forks	s/e/l	mm	40*120*1220	40*120*1220	50*120*1220	50*120*1220	40*120*1220	40*120*1220	50*120*1220	50*120*1220
Fork carriage DIN 15173, Class, Type A, B			2A	2A	3A	3A	2A	2A	3A	3A
Carriage width	b3	mm	1024	1024	1150	1150	1024	1024	1150	1150
Ground clearance, below mast	m1	mm	120	120	120	120	120	120	120	120
Ground clearance, centre of wheelbase	m2	mm	200	200	240	240	200	200	240	240
Aisle width, pallet 1000 x 1200 sideways	Ast	mm	3835	3835	4095	4295	3835	3835	4095	4295
Aisle width, pallet 800 x 1200 lengthways	Ast	mm	3635	3635	3895	4095	3635	3635	3895	4095
Turning radius	Wa	mm	2040	2040	2430	2615	2040	2040	2430	2615
Travelling speed, with/without load		km/h	17/18	17/18	17/18	16/18	17/18	17/18	17/18	16/18
Lifting speed, with/without load		m/s	550/650	520/620	420/540	410/540	550/650	520/620	420/540	410/540
Lowering speed, with/without load		m/s	470/440	470/440	450/420	450/420	470/440	470/440	450/420	450/420
Drawbar pull, with/without load		N	21500/9200	22200/12300	21000/13200	20100/17200	20050/11200	19300/9500	18200/10200	17500/12600
Gradeability, with/without load		%	30/20	32/21	31/23	31/23	34/27	29/23	28/23	27/23
Acceleration time, with/without load		s	5.1/3.57	5.4/4.77	5.6/5.57	4.8/4.68	5.1/3.57	5.4/4.77	5.6/5.57	4.8/4.68
Service brake			Hydraulic	Hydraulic	Hydraulic	Hydraulic	Hydraulic	Hydraulic	Hydraulic	Hydraulic
Make/type			YANMAR98	YANMAR98	YANMAR98	YANMAR98	GM	GM	GM	GM
Rated output in accordance with ISO 1585		HP/kW	62/45	62/45	62/45	62/45	75/54	75/54	75/54	75/54
Torque		Nm	182@ 1500 rpm	182@ 1500 rpm	182@ 1500 rpm	182@ 1500 rpm	255@ 1800 rpm	255@ 1800 rpm	255@ 1800 rpm	255@ 1800 rpm
Engine speed		l/min	2725	2725	2725	2725	2800	2800	2800	2800
No. of cylinders/displacement			4/3319	4/3319	4/3319	4/3319	4/2966	4/2966	4/2966	4/2966
Transmission			Auto	Auto	Auto	Auto	Auto	Auto	Auto	Auto
Operating pressure for attachments		bar	185KG/CM2	185KG/CM2	185KG/CM2	185KG/CM2	185KG/CM2	185KG/CM2	185KG/CM2	185KG/CM2
Oil flow for attachments		l/min	33	33	33	33	33	33	33	33



MAST PROGRAMME FOR 2,0/2,5/3,0/3,5 TONNES:

Lift height	mm	3300	3500	4000	4500	5000
Mast height, lowered	mm	2166	2266	2566	2816	3116
Free lift	mm	0	0	0	0	0
Lift height	mm	3300	3500	4000	4500	5000
Mast height, lowered	mm	2150	2250	2550	2800	3100
Free lift	mm	1515	1615	1865	2115	2365
Lift height	mm	4500	4800	5000	5500	6000
Mast height, lowered	mm	2100	2150	2250	2433	2650
Free lift	mm	1365	1465	1531	1698	1865

DUPLEX

DUPLEX FREE LIFT

TRIPLEX FREE LIFT

GENERAL INFORMATION

WEIGHT

TYRES

DIMENSIONS

PERFORMANCE

ENGINE

MISCELLANEOUS