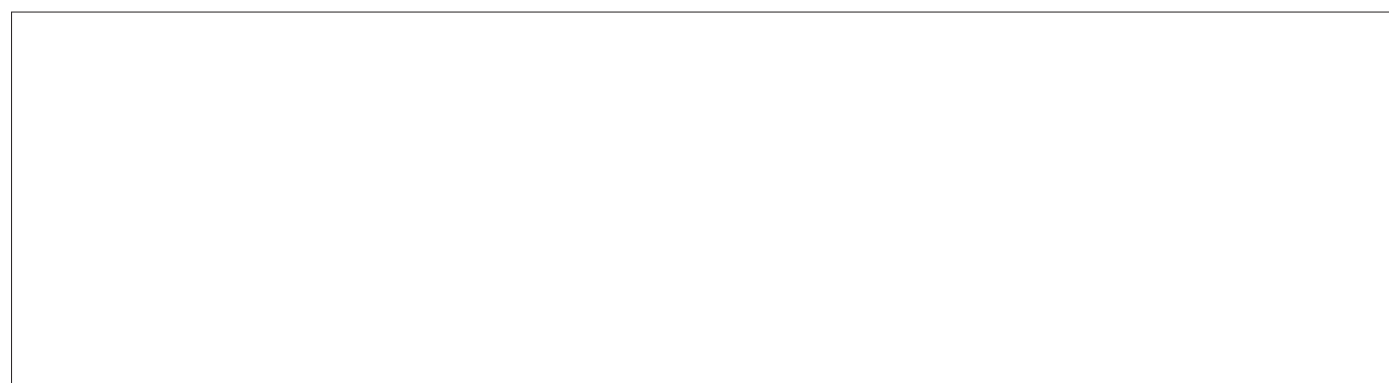
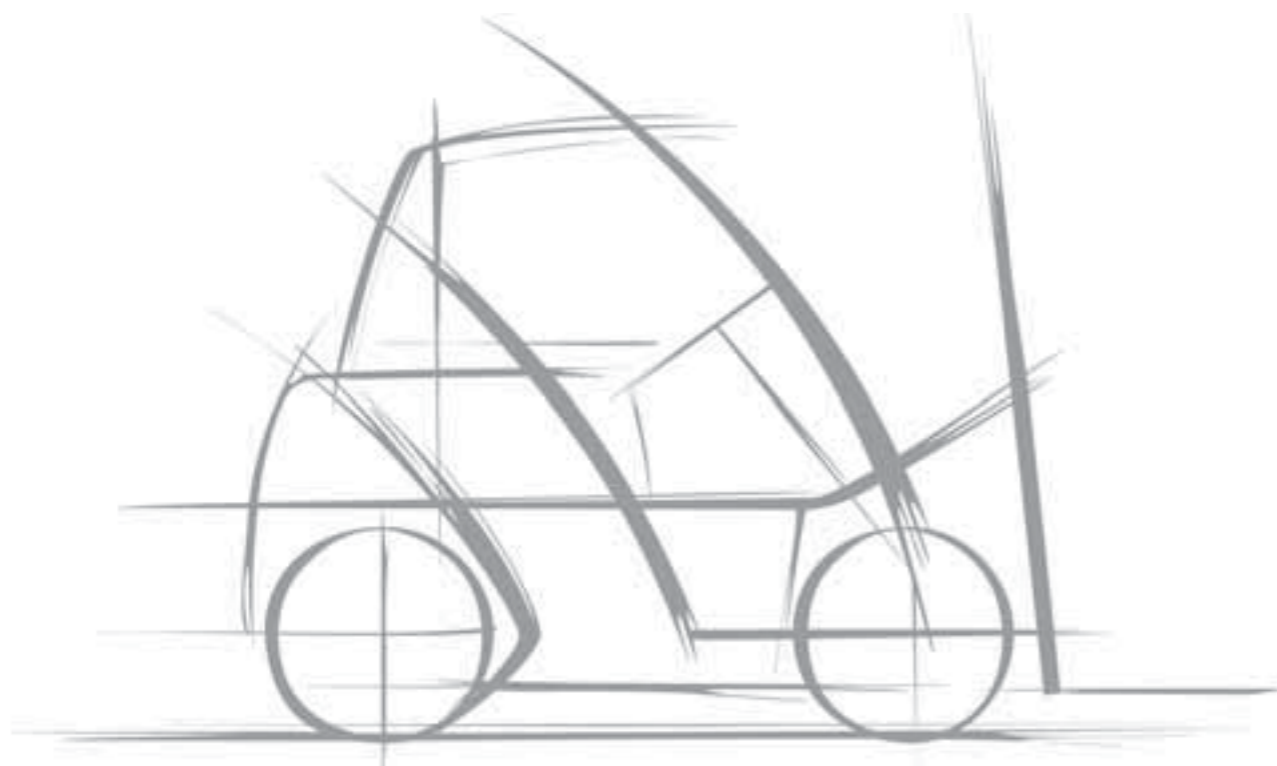


NISSAN
FORKLIFT

TX4

Series

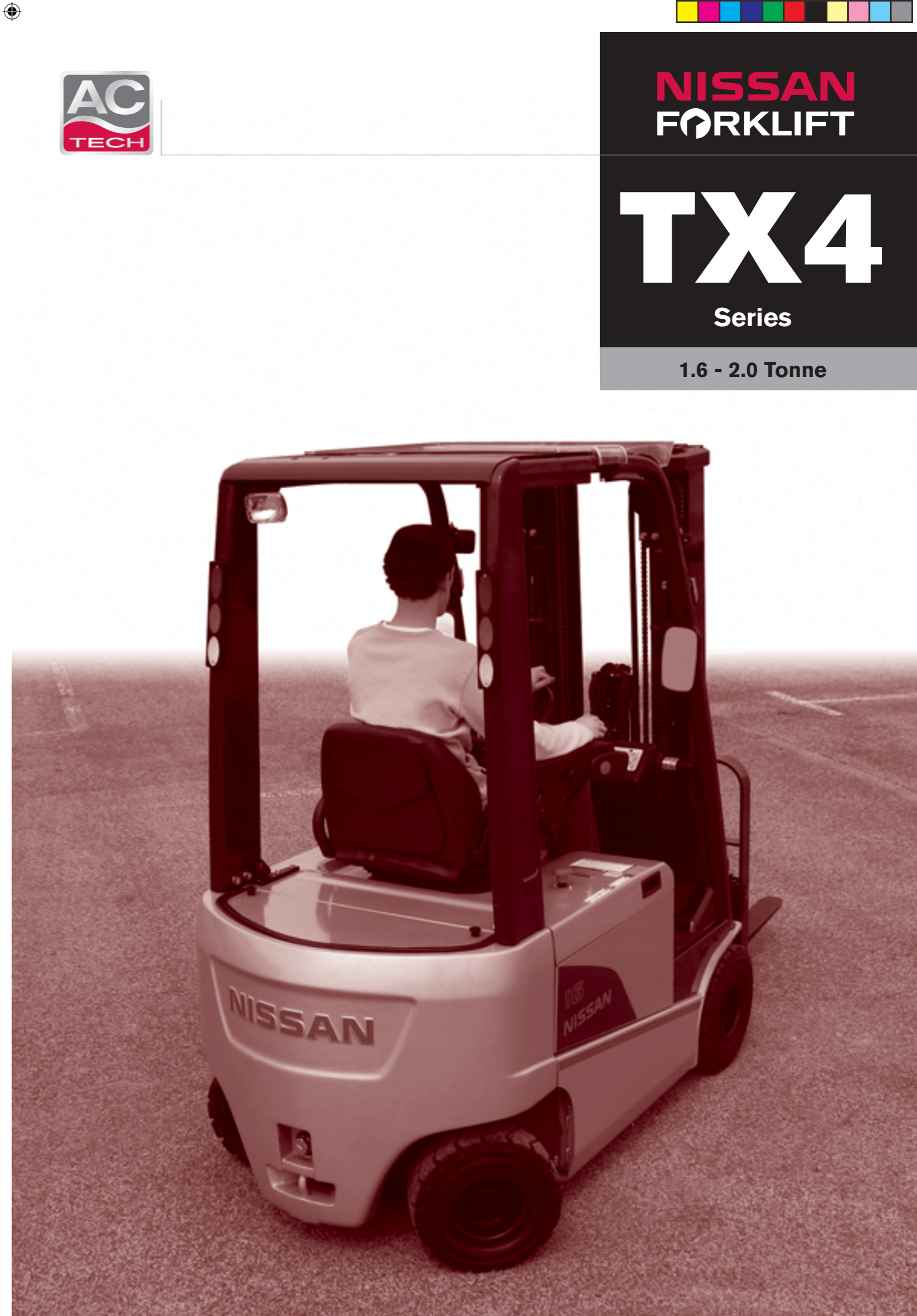
1.6 - 2.0 Tonne



NISSAN FORKLIFT EUROPE B.V.

<http://www.nissan-nfe.com> SEN-TX4-01.NFE/08-04-2500 Printed in The Netherlands

Nissan Motor Co., Ltd. reserves the right to make any changes without notice concerning colors, equipment or specifications detailed in this brochure, or to discontinue individual models. The colors of vehicles delivered may differ slightly from those in this brochure. The specifications vary for different countries depending on local market conditions. Please consult your local dealer to ensure that the vehicle delivered accords with your expectations. All values given may vary, due to motor and system tolerances and operational conditions. Some equipment shown on photos are optional.

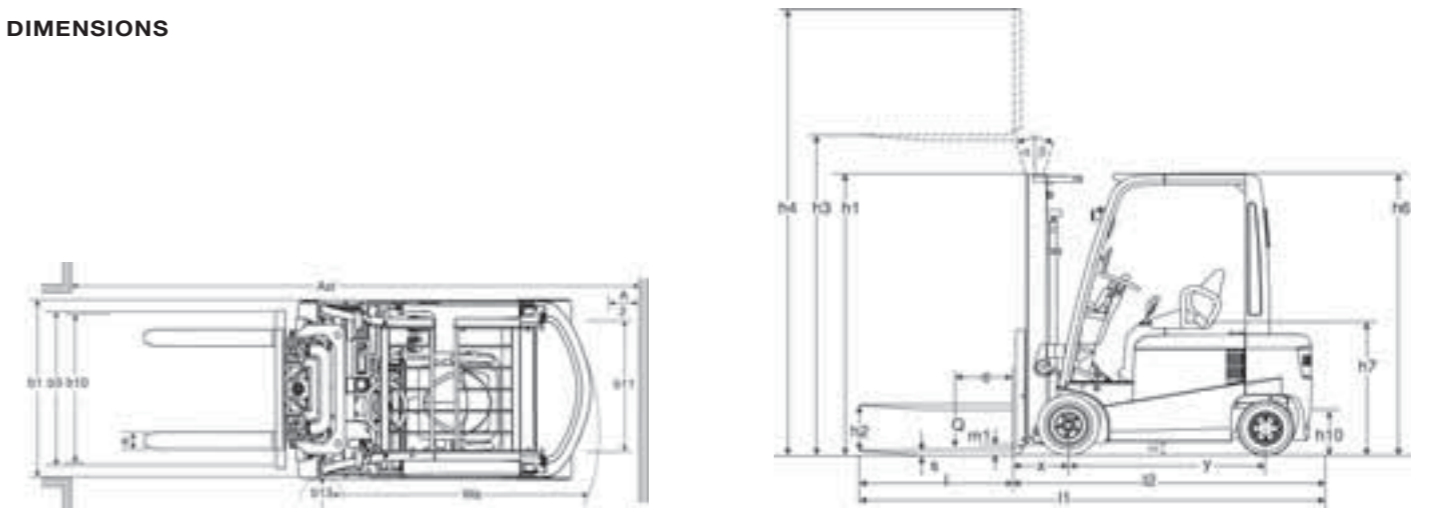


STANDARD SPECIFICATIONS

Counterbalance trucks Designation according VDI 3586		Data sheet for materials handling equipment			VDI 2198 Registration note		
March 2008 Manufacturers Data and Design Characteristics							
CHARACTERISTICS	1.1	Manufacturer	Nissan	Nissan	Nissan		
	1.2	Model name	TX4-16	TX4-18	TX4-20		
	1.3	Power unit: Electric, Diesel, Gasoline, LPG, others	Electric	Electric	Electric		
	1.4	Operation: Sit, Hand, Pedestrian, Standing, Order picking	Sit	Sit	Sit		
	1.5	Load capacity	Q (t)	1.6	1.8	2.0	
	1.6	Load centre	c (mm)	500	500	500	
	1.8	Front overhang	x (mm)	365	370	370	
	1.9	Wheel base	y (mm)	1450	1450	1450	
	WEIGHTS	2.1	Service weight (without battery)	kg	3075	3305	3425
2.2		Axle load with load, front/rear	kg	4105/570	4535/570	4840/585	
2.3		Axle load without load, front/rear	kg	1545/1530	1650/1655	1640/1785	
WHEELS & TIRES	3.1	Tyres front/rear (C=Cushion,SE=superelastic,P=pneumatic)	SE/SE				
	3.2	Tyre size, front	18x7-8	200/50-10	200/50-10		
	3.3	Tyre size, rear	16x6-8	16x6-8	16x6-8		
	3.5	Wheels, number front/rear (x=powered)	2x/2	2x/2	2x/2		
	3.6	Tread, front	b10(mm)	933	930	930	
	3.7	Tread, rear	b11(mm)	928	928	928	
	DIMENSIONS	4.1	Tilt Mast/carriage, forward/backward	α/β (°)	4/6	4/6	4/6
4.2		Height mast fully lowered	h1 (mm)	1955	1955	1955	
4.3		Free lift	h2 (mm)	60	60	60	
4.4		Lift height	h3 (mm)	3000	3000	3000	
4.5		Height mast fully extended	h4 (mm)	3580	3580	3580	
4.7		Overhead guard height	h6 (mm)	2110	2110	2110	
4.8		Seat height/Standing height	h7 (mm)	957	957	957	
4.12		Towing coupler height	h10 (mm)	211	211	211	
4.19		Overall length	l1 (mm)	3055	3060	3080	
4.20		Length to fork face	l2 (mm)	2155	2160	2180	
4.21		Overall width	b1(mm)	1090	1120	1120	
4.22		Fork dimensions	s/e/l (mm)	35x100x900	40x100x900	40x100x900	
4.23		Carriage DIN 15173, Class / Form A,B		2A	2A	2A	
4.24		Carriage width	b3 (mm)	920	920	920	
4.31		Mast underclearance loaded	m1 (mm)	75	75	75	
4.32	Underclearance centre wheelbase	m2 (mm)	100	100	100		
4.33	Right angle stacking aisle with pallet 1000 x 1200 across forks	Ast (mm)	3471	3471	3471		
4.34	Right angle stacking aisle with pallet 800 x 1200 across forks	Ast (mm)	3271	3271	3271		
4.35	Turning radius	Wa (mm)	1910	1910	1930		
PERFORMANCE	5.1	Travelling speed with/without load	km/h	15/16	15/16	15/16	
	5.2	Lifting speed with/without load	mm/s	400/600	370/600	350/580	
	5.3	Lowering speed with/without load	mm/s	500/550	500/550	500/550	
	5.6	Maximum drawbar pull, with/without load, 3 minute rating	N	10500	10500	10500	
	5.8	Maximum gradeability, with/without load, 5 minute rating	%	19/22	17.5/21.5	15/20.5	
	5.9	Acceleration time, with/without load	s	4.5/4.1	4.6/4.1	4.7/4.2	
	5.10	Service brake	Hydraulic/Electric				
	DRIVE	6.1	Traction motor performance, 1hr. rating	kW	5.0x2	5.0x2	5.0x2
		6.2	Lift motor performance, 20% rating	kW	11.0	11.0	11.0
		6.3	Battery according	DIN43531A			
6.4		Battery voltage/rated capacity (5h) *1	V/Ah	48/575	48/750	48/750	
6.5		Battery weight (±5%)	kg	900	1110	1110	
OTHERS	8.1	Type of drive control	NISSAN AC TECH - MOS-FET inverter				
	8.2	Working pressure attachments	bar	120	120	120	

*1 Larger capacity batteries on request

DIMENSIONS



MAST SPECIFICATIONS & RATED CAPACITIES: 1.6 - 2.0 TONNE

Mast Type	Mast Name	Maximum fork height mm ¹⁾	Overall Height		Free Lift		Tilt angle Forward/ backward degrees	Load capacity ²⁾ Load center 500 mm			
			Fully lowered mm ¹⁾	Fully extended		Without backrest mm ¹⁾		With STD backrest mm ¹⁾	1.6 tonne kg ¹⁾	1.8 tonne kg ¹⁾	2.0 tonne kg ¹⁾
				Without backrest mm ¹⁾	With STD backrest mm ¹⁾						
TWO STAGE WIDE VIEW	2W270	2700	1850	3280	3645	60	60	4-6	1600	1800	2000
	2W300	3000	1955	3580	3945	60	60	4-6	1600	1800	2000
	2W330	3300	2105	3880	4245	60	60	4-6	1600	1800	2000
	2W350	3500	2240	4080	4445	60	60	4-6	1600	1800	2000
	2W370	3700	2365	4280	4645	60	60	4-6	1600	1800	2000
	2W400	4000	2555	4580	4945	60	60	4-6	1600	1750	1950
	2W450	4500	2805	5080	5445	60	60	4-6	1500	1650	1850
	2W500	5000	3055	5580	5945	60	60	4-6	1450	1550	1750
TWO STAGE FULL FREE	2F270	2700	1805	3280	3645	1225	860	4-6	1600	1800	2000
	2F300	3000	1955	3580	3945	1375	1010	4-6	1600	1800	2000
	2F330	3300	2105	3880	4245	1525	1160	4-6	1600	1800	2000
	2F350	3500	2240	4080	4445	1660	1295	4-6	1600	1800	2000
	2F370	3700	2365	4280	4645	1785	1420	4-6	1600	1750	1950
	2F400	4000	2555	4580	4945	1975	1610	4-6	1550	1700	1900
THREE STAGE FULL FREE	3F385	3850	1805	4430	4795	1200	860	5-5	1550	1700	1900
	3F430	4300	1955	4880	5245	1375	1010	5-5	1500	1650	1850
	3F475	4750	2105	5330	5695	1525	1160	5-5	1450	1600	1750
	3F515	5150	2240	5730	6100	1660	1295	5-5	1350	1500	1650
	3F550	5500	2365	6080	6445	1785	1420	5-5	1300	1400	1550
	3F600	6000	2555	6580	6945	1975	1610	5-5	1250	1300	1450
	3F650	6500	2805	7080	7445	2225	1860	5-5	1150	1200	1350
3F700	7000	3055	7580	7945	2475	2110	5-5	1100	1150	1200	
THREE STAGE FULL FREE WIDE VIEW	3V360	3600	1805	4145	4510	1260	895	5-5	1550	1700	1850
	3V405	4050	1955	4595	4690	1410	1045	5-5	1500	1650	1800
	3V450	4500	2105	5045	5410	1560	1195	5-5	1450	1600	1700
	3V490	4900	2240	5445	5810	1695	1330	5-5	1350	1500	1650
	3V525	5250	2365	5795	6160	1920	1555	5-5	1300	1400	1550
	3V575	5750	2555	6295	6660	2010	1645	5-5	1250	1300	1450
	3V633	6330	2805	6875	7240	2260	1895	5-5	1150	1200	1350
	3V688	6880	3055	7425	7790	2510	2145	5-5	1100	1150	1200

¹⁾ 1 inch = 25.4 mm

1kg = 0.4536 lb

²⁾ With superelastic tires